



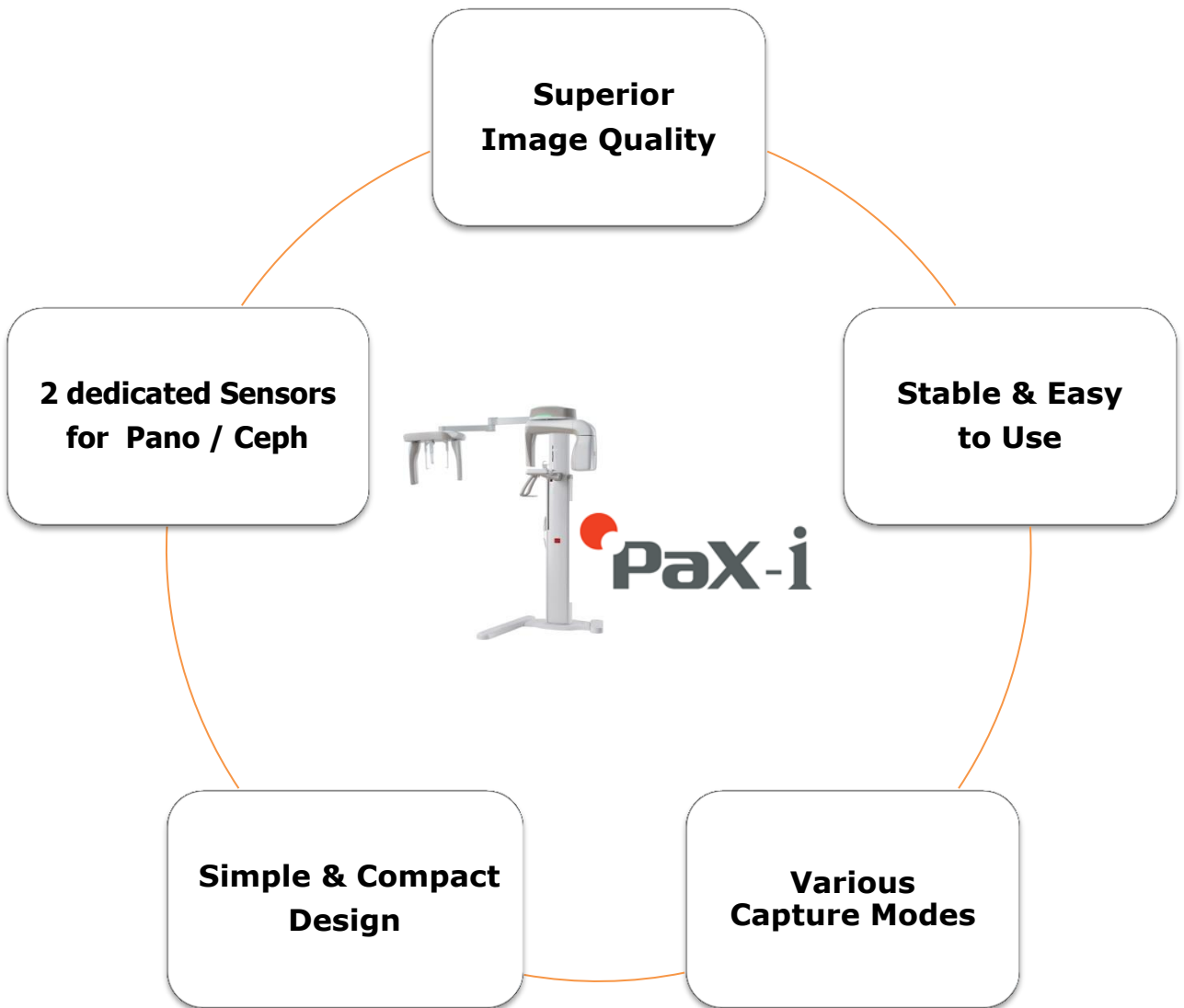
Sale Guide

 PaX-i



2. Product Information

1) Sales Point at a glance



2. Product Information

1) Sales point at a glance : **Superior Image Quality for PANO**

PaX-i provides the most precise and highest quality digital image by innovative imaging process and accumulated experience in dental imaging from VATECH. It always enables you to perform an accurate diagnosis with great satisfaction from patients in your clinic.



- Enhanced image quality with optimized layers according to arch types and capture modes.
- Optimized diagnostic image with capture conditions based on exposure time, patients' arch types, and physical conditions.
- Enhanced diagnosis accuracy showing main anatomical structures accurately.
 - Minimized teeth overlapping symptom
 - Enhanced image quality of incisor teeth
 - Tooth root and the lamina dura, mandibular canal and mental foramen, Temporo- Mandibular Joint and sinus, etc.

2. Product Information

1) Sales point at a glance : **Superior Image Quality for PANO**

- Sample images for PANO



2. Product Information

1) Sales point at a glance : **Superior Image Quality for CEPH**

- Sample images for CEPH



**PaX-i OP
(One Shot Ceph Image)**

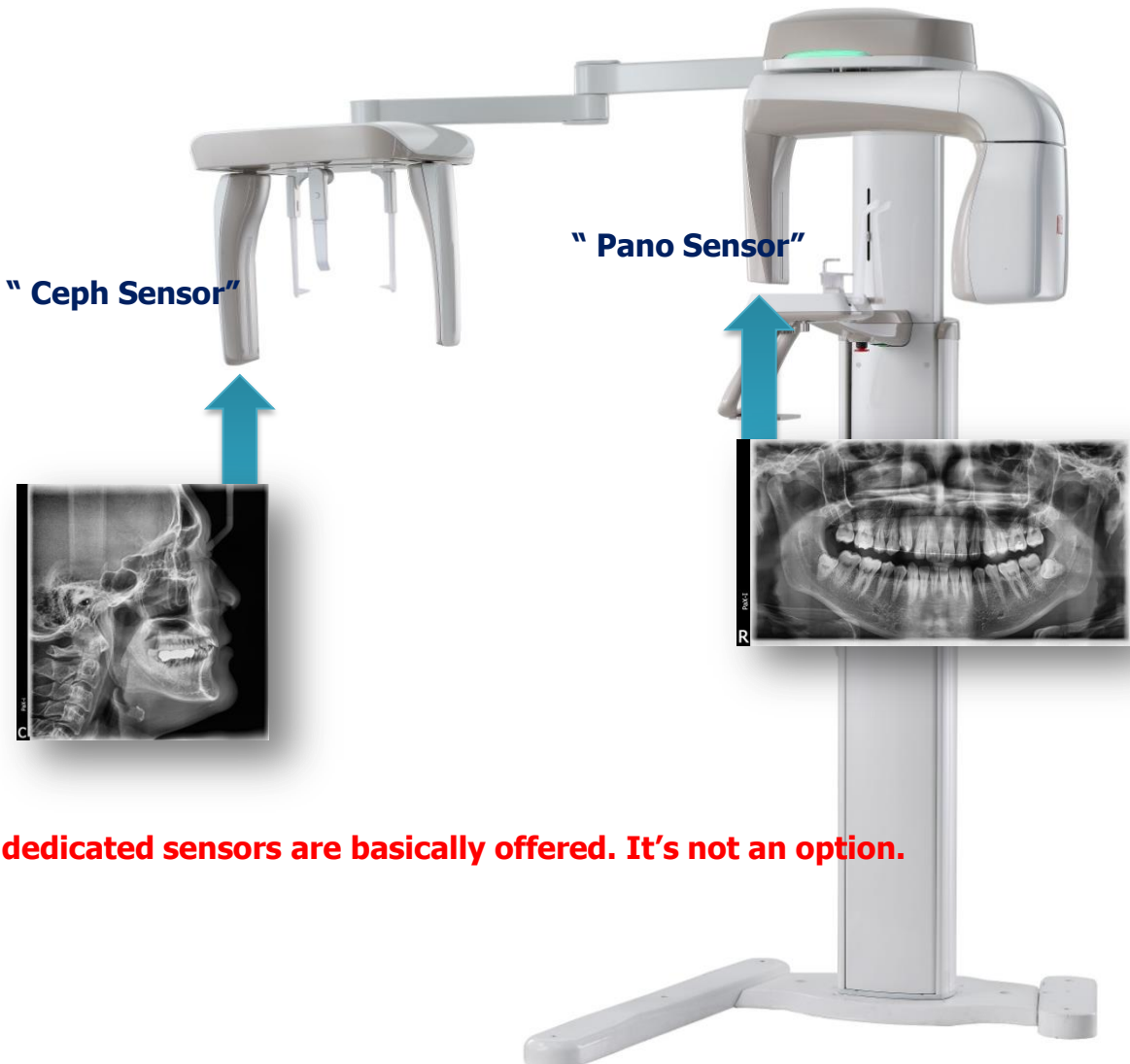
**PaX-i SC
(Scan Ceph Image)**



2. Product Information

3) Sales point at a glance : **2 Dedicated Sensors** for Pano/Ceph

- Without the hassle to change the sensor, users could perform Pano / Ceph exposure with fast and comfortable workflow.
- It allows easy access to Pano / Ceph functions without risk in dropping sensors.
- Using a separate sensor extends the lifetime of sensors.



2 dedicated sensors are basically offered. It's not an option.

2. Product Information

4) Sales point at a glance : **Unique Cephalometric Option in Market**

▪ Scan Ceph



- ✓ The standard diagnosis image for orthodontist
- ✓ The stable and affordable imaging solution

▪ One Shot Ceph

- ✓ Superior image quality with highly sensitive Flat Panel X-ray Detector
- ✓ The shortest X-ray exposure : 0.9 sec. without motion artifact



▪ Another features of VATECH's Cephalometric

▪ Slim & Elegant Design

- Slim & Elegant design of cephalometric modules secure excellent space efficiency

▪ Optimum Capture Modes

- Covers all orthodontics diagnostic analysis
- Lateral, Frontal (PA / AP), SMV (Submento-vertex), Carpus, Water's view

2. Product Information

5) Sales point at a glance : **Various Capture Mode** **& Intuitive User Interface**



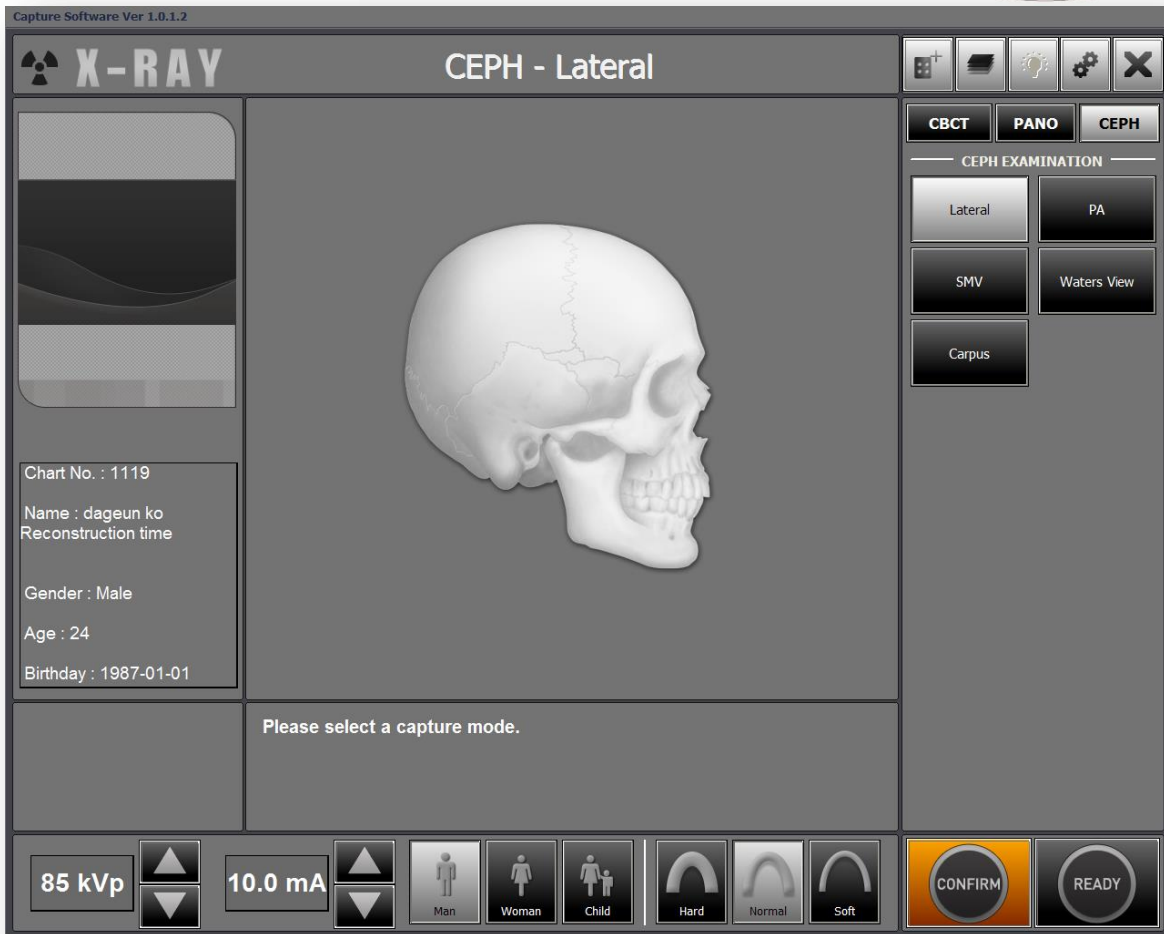
- ✓ Various capture modes to meet all of diagnostic requirements
- ✓ Capability to choose jaw shape and patient size to capture the most accurate image
- ✓ *Fast capturing mode, segmented capturing mode, child mode* considering reduced X-ray dose & time saving (Pano)

▪ Detail capture modes

Section	Arch	Examination Mode
PANO Examination	Narrow / Normal Wide / Child	Standard / Right / Front / Left
	Orthogonal	Orthogonal Standard / Right / Front / Left Bitewing Standard / Right / Front / Left
SPECIAL Examination	Normal	TMJ LAT Open / Close TMJ PA Open / Close Sinus LAT / PA

2. Product Information

5) Sales point at a glance : **Various Capture Mode**
& Intuitive User Interface



- ✓ Various capture modes to meet all of diagnostic requirements
 - Support Lateral, PA, SMV, Waters View and Carpus capture modes
- ✓ Capability to choose patient size to capture the most accurate image

3. Additional Product Info.

1) PaX-i series – Product Configuration



	Pano	Ceph	
		Scan	One shot
PaX-i	0	-	-
PaX-i SC	0	0	-
PaX-i OP	0	-	0

3. Additional Product Info.

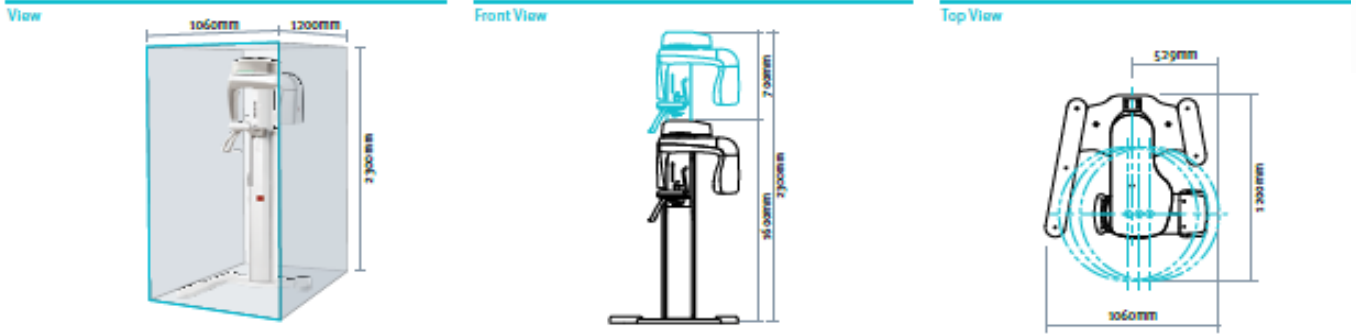
2) PaX-i series – Technical Specification

Specification	PaX-i	PaX-i SC	PaX-i OP
Function	Pano	Pano + Scanning Ceph	Pano + One Shot Ceph
Detector	Pano: CMOS	Pano: CMOS	Pano: CMOS
	N/A	Ceph: CMOS	Ceph: TFT
Gray Scale	14bits	14 bits	14 bits
Scan Time	Pano: Standard 13.5 sec / Fast 10.1 sec	Pano: Standard 13.5 sec / Fast 10.1 sec	Pano: Standard 13.5 sec / Fast 10.1 sec
	N/A	Ceph: 12.9 sec	One Shot: 0.9 ~ 1.2 sec
Patient position	Standing / Wheelchair Accessible	Standing / Wheelchair Accessible	Standing / Wheelchair Accessible
Focal Spot	0.5 x 0.5 mm	0.5 x 0.5 mm	0.5 x 0.5 mm
kV	50 ~ 90 kV	50 ~ 90 kV	50 ~ 90 kV
mA	4 ~ 10 mA	4 ~ 10 mA	4 ~ 10 mA
Image magnification	1.14 : 1	1.14 : 1	1.14 : 1
Dimension (L x W x H mm)	1060 x 1200 x 2300	1920 x 1200 x 2300	1930 x 1200 x 2300
Weight	90 kg	120 kg	130 kg
Base	50 kg	50 kg	50 kg

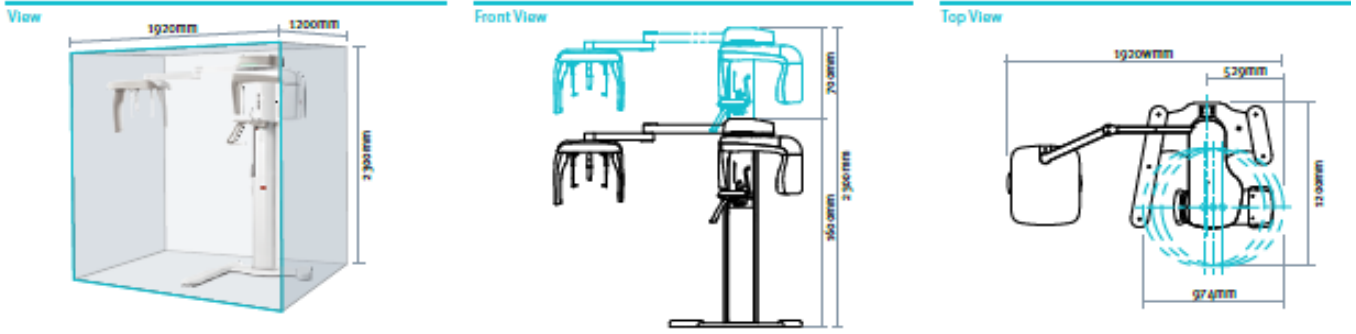
3. Additional Product Info.

3) PaX-i series – Dimension & Weight

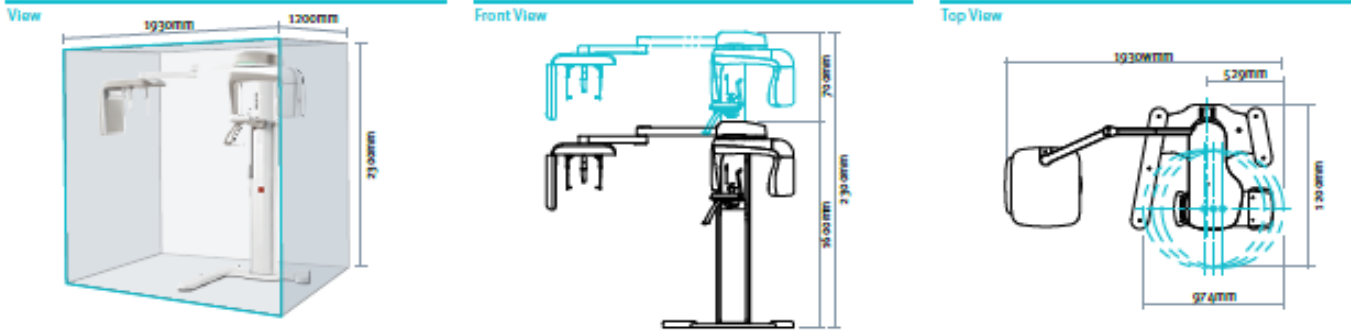
PaX-i_Pano Only



PaX-i SC_Pano/Scan Ceph



PaX-i OP_Pano/One-Shot Ceph



	Item	Description
Weight	without cephalometric unit	90 kg
	with cephalometric unit	120 kg
	with cephalometric unit	130 kg
	Base	50 kg